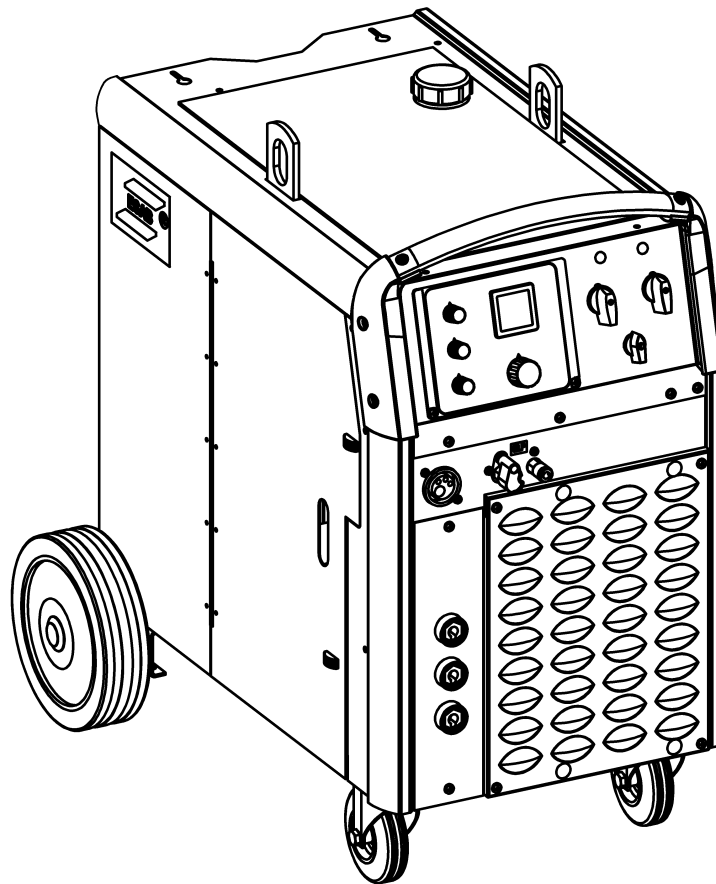


**Spare parts list**

**Edition 20120710**



**Valid for serial no. 627-xxx-xxxx, 120-xxx-xxxx**

**Ordering no. Product**

0349 302 655 Origo™ Mig C420 PRO, 400-415V 3~50Hz

0249 303 079 Origo™ Mig C420w PRO, 400-415V 3~50Hz; with water cooler

0349 312 580 Origo™ Mig C420 PRO, 400-415V 3~50Hz, with digital instrument

0349 312 590 Origo™ Mig C420w PRO, 400-415V 3~50Hz; with water cooler and digital instrument

Spare parts are to be ordered through the nearest ESAB agency. Kindly indicate type of unit, serial number, denominations and ordering numbers according to the spare parts list.

Maintenance and repair work should be performed by an experienced person, and electrical work only by a trained electrician. Use only recommended spare parts.

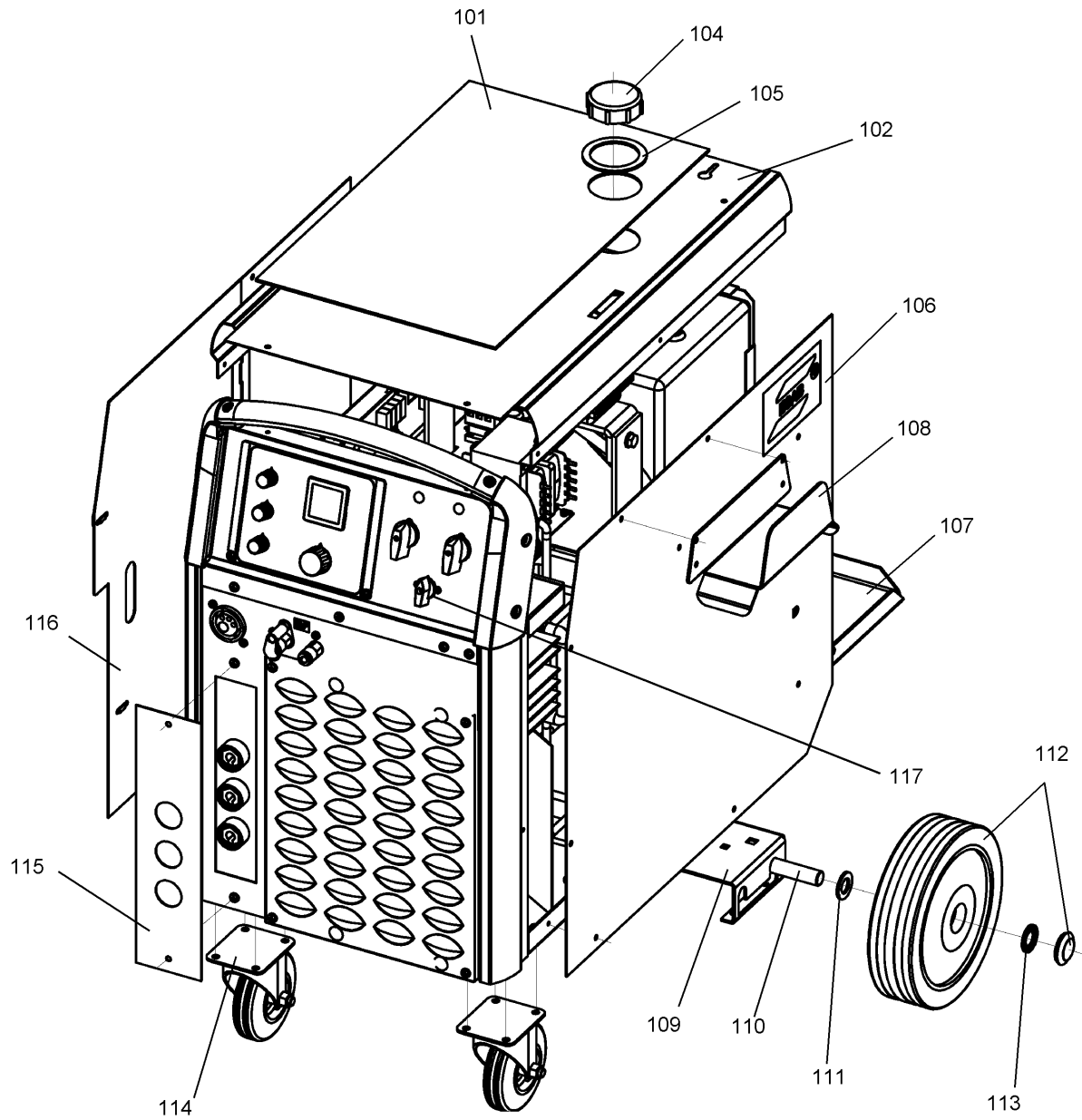
Rights reserved to alter specifications without notice.

# Mig C420 PRO

C = component designation in the circuit diagram

Item	Qty C420w	Qty C420	Ordering no.	Denomination	Notes	C
101	1	-	0349 303 097	Rubber mat		
102	1	1	0349 303 185	Cover		
104	1	-	0469 689 002	Cover		
105	1	-	0366 481 004	Seal		
106	1	1	0349 303 178	Side panel - Right		
107	1	1	0349 302 267	Shelf		
108	1	1	0349 303 362	Holder for weld.gun		
109	1	1	0349 302 268	Clamp		
110	1	1	0469 516 005	Shaft		
111	2	2	0215 100 037	Washer	Ø 36/21x3	
112	2	2	0469 872 001	Wheel	Ø 250	
113	2	2	0192 859 126	Locking washer		
114	2	2	0349 304 853	Link wheel	Ø 125	
115	1	1	0349 303 102	Panel		
116	1	1	0349 303 015	Side panel - Left		
117	1	1	0349 302 305	Switch		QF1
	1	1	0349 302 253	Knob	for switch 0349 302 305	

# Mig C420 PRO

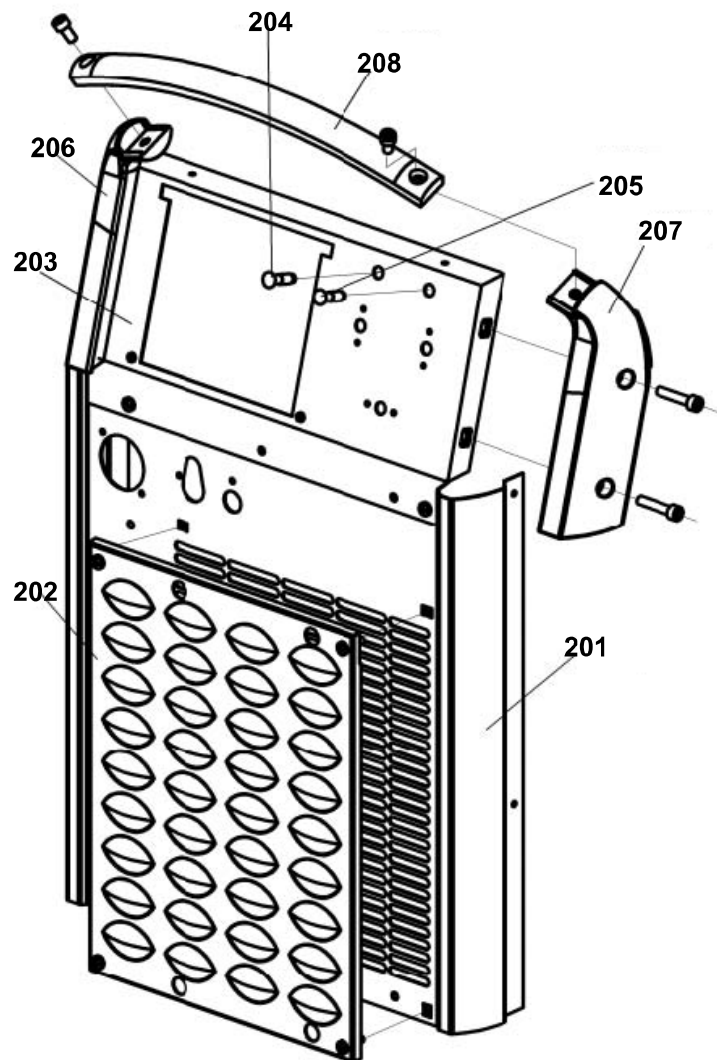
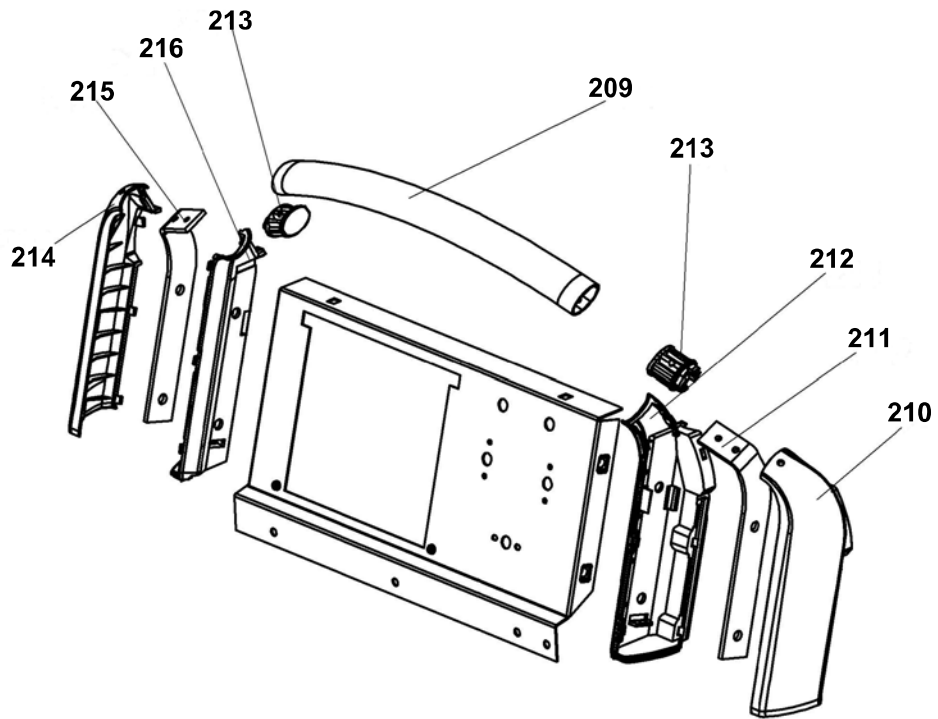


# Mig C420 PRO

C = component designation in the circuit diagram

Item	Qty C420w	Qty C420	Ordering no.	Denomination	Notes	C
201	1	1	0349 308 409	Front panel plate		
202	1	1	0349 302 285	Grill		
203	1	1	0349 302 948	Front panel		
204	1	1	0349 302 712	Lamp	green	H1
205	1	1	0349 733 005	Lamp	yellow	H2
206	1	1	0349 302 282	Left corner	Valid for serial no.: xxx 5xx xxxx to xxx 9xx xxxx, xxx 0xx xxxx to xxx 111 xxxx	
207	1	1	0349 302 283	Right corner	Valid for serial no.: xxx 5xx xxxx to xxx 9xx xxxx, xxx 0xx xxxx to xxx 111 xxxx	
208	1	1	0349 302 284	Handle	Valid for serial no.: xxx 5xx xxxx to xxx 9xx xxxx, xxx 0xx xxxx to xxx 111 xxxx	
209	1	1	0349 310 966	Handle	Valid from serial no.: xxx 112 xxxx	
210	1	1	0349 311 034	Cover right	Valid from serial no.: xxx 112 xxxx	
211	1	1	0349 311 035	Bracket right	Valid from serial no.: xxx 112 xxxx	
212	1	1	0349 311 033	Base right	Valid from serial no.: xxx 112 xxxx	
213	2	2	0349 311 039	Reduction insert	Valid from serial no.: xxx 112 xxxx	
214	1	1	0349 311 037	Cover left	Valid from serial no.: xxx 112 xxxx	
215	1	1	0349 311 038	Bracket left	Valid from serial no.: xxx 112 xxxx	
216	1	1	0349 311 036	Base left	Valid from serial no.: xxx 112 xxxx	

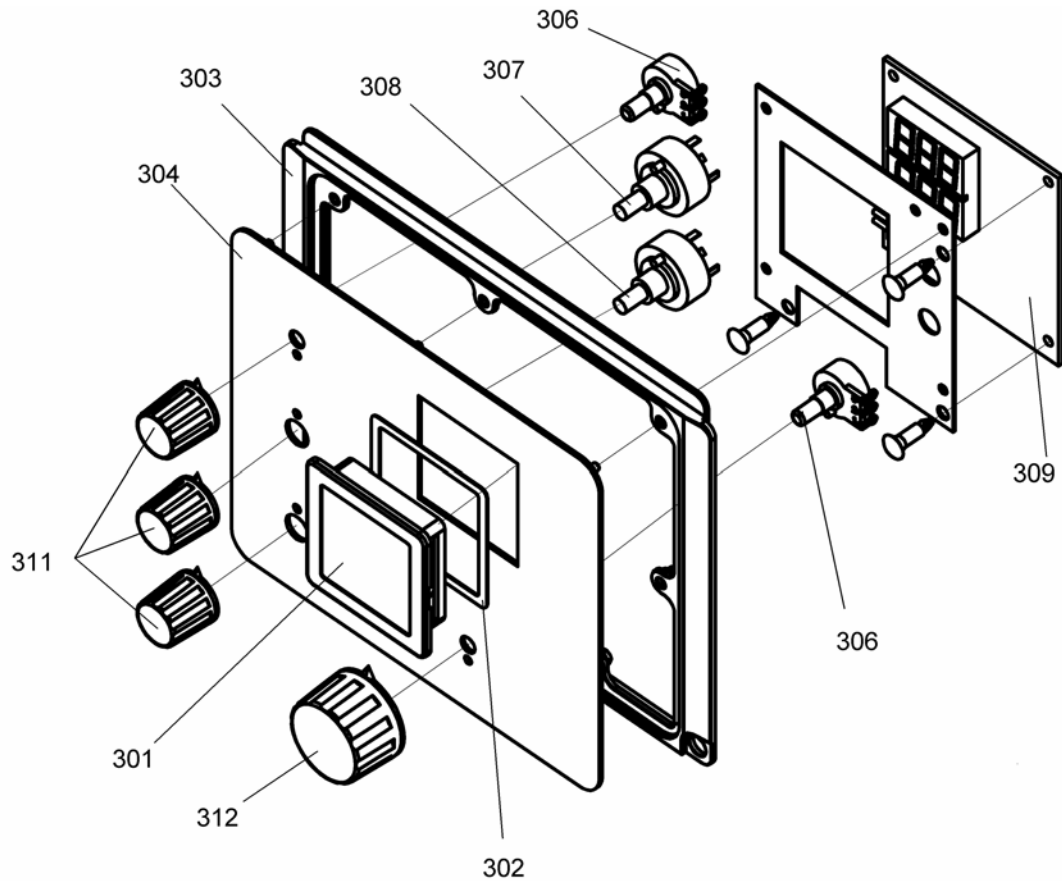
# Mig C420 PRO



# Mig C420 PRO

C = component designation in the circuit diagram

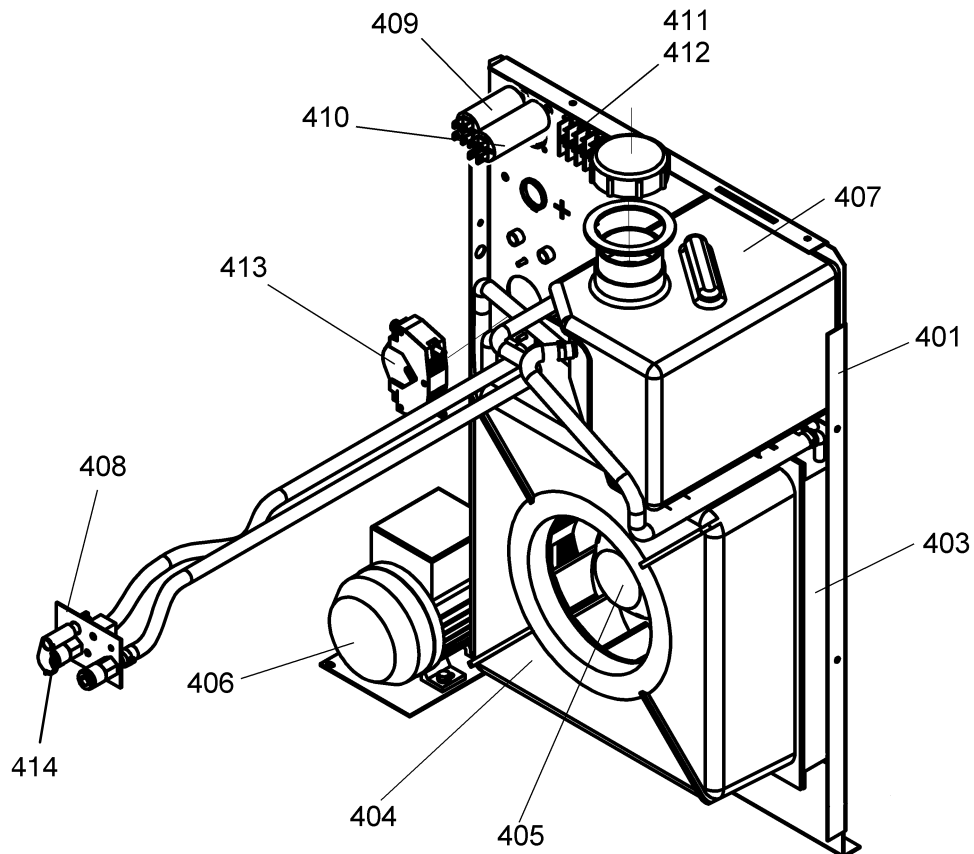
Item	Qty C420w	Qty C420	Ordering no.	Denomination	Notes	C
301	1	1	0455 172 001	Glass		
302	1	1	0455 174 001	Gasket		
303	1	1	0459 118 002	Plastic frame		
304	1	1	0349 313 097	Panel MMC-B2		
306	2	2	0349 302 908	Potentiometer		RP1, RP2
307	1	1	0349 302 909 0349 303 985	Switch	for AP1 No: 0486 205 882 0486 205 886	SP1
308	1	1	0349 302 910	Switch		SP2
309				Circuit - board (A)	Included in digital instrument (A)	AP2
	1	-	0349 313 036		Valid up to serial no: xxx-136-xxxx	
	1	-	0349 312 631		Valid from serial no: xxx-137-xxxx	
	-	1	0349 313 047		Valid up to serial no: xxx-136-xxxx	
	-	1	0349 312 999		Valid from serial no: xxx-137-xxxx	
311	3	3	0321 475 881	Knob		
312	1	1	0321 475 882	Knob		



(A) = accessory

# Mig C420 PRO

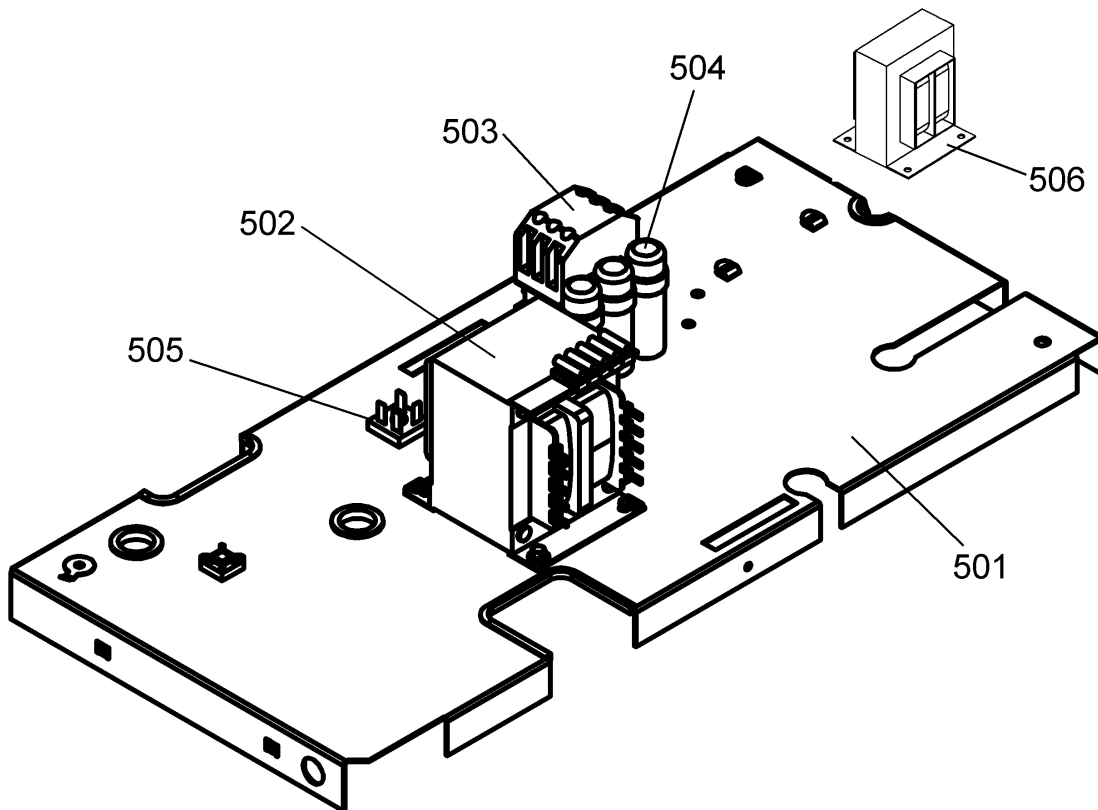
Item	Qty C420w	Qty C420	Ordering no.	Denomination	Notes	C
401	1	1	0349 302 935	Rear plate		
403	1	-	0349 311 701	Radiator		
404	1	1	0469 893 001	Fan Housing		
405	1	1	0369 827 001	Fan		EV1
406	1	-	0459 288 001	Pump		M1
407	1	-	0469 689 001	Water tank		
408	1	-	0349 495 011	Front plate		S2
409	1	1	0191 085 203	Capacitor 400V	3uF	C4
410	1	1	0191 085 206	Capacitor 400V	6uF	C5
411	1	-	0466 884 008	Connection 8 pole		XT1
412	-	1	0466 884 003	Connection 3 pole		XT1
413	1	1	0469 950 880	Cable clamp		
414	1	-		Water outlet with lock	For further information see page 13	



# Mig C420 PRO

C = component designation in the circuit diagram

Item	Qty C420w	Qty C420	Ordering no.	Denomination	Notes	C
501	1	1	0349 302 937	Intermediate plate		
502	1	1	0469 882 001	Control transformer	400-415V	TC1
	1	1	0455 306 001	Control transformer	230-500V	TC1
	1	1	0349 303 749	Control transformer	230-575V	TC1
503	1	1	0349 306 792	Contacteur	400-415V	KM1
	1	1	0349 307 633	Contacteur	230-575V	KM1
	1	1	0349 484 366	Auxiliary contact	for contacteur 0349 306 792 and 0349 307 633	
504	1	1	0349 303 025	Filter unit		C1, C2, C3
505	1	1	0457 290 046	Bridge		V2
506	1	1	0349 302 250	Transformer for CO <sub>2</sub> heater kit		TC2





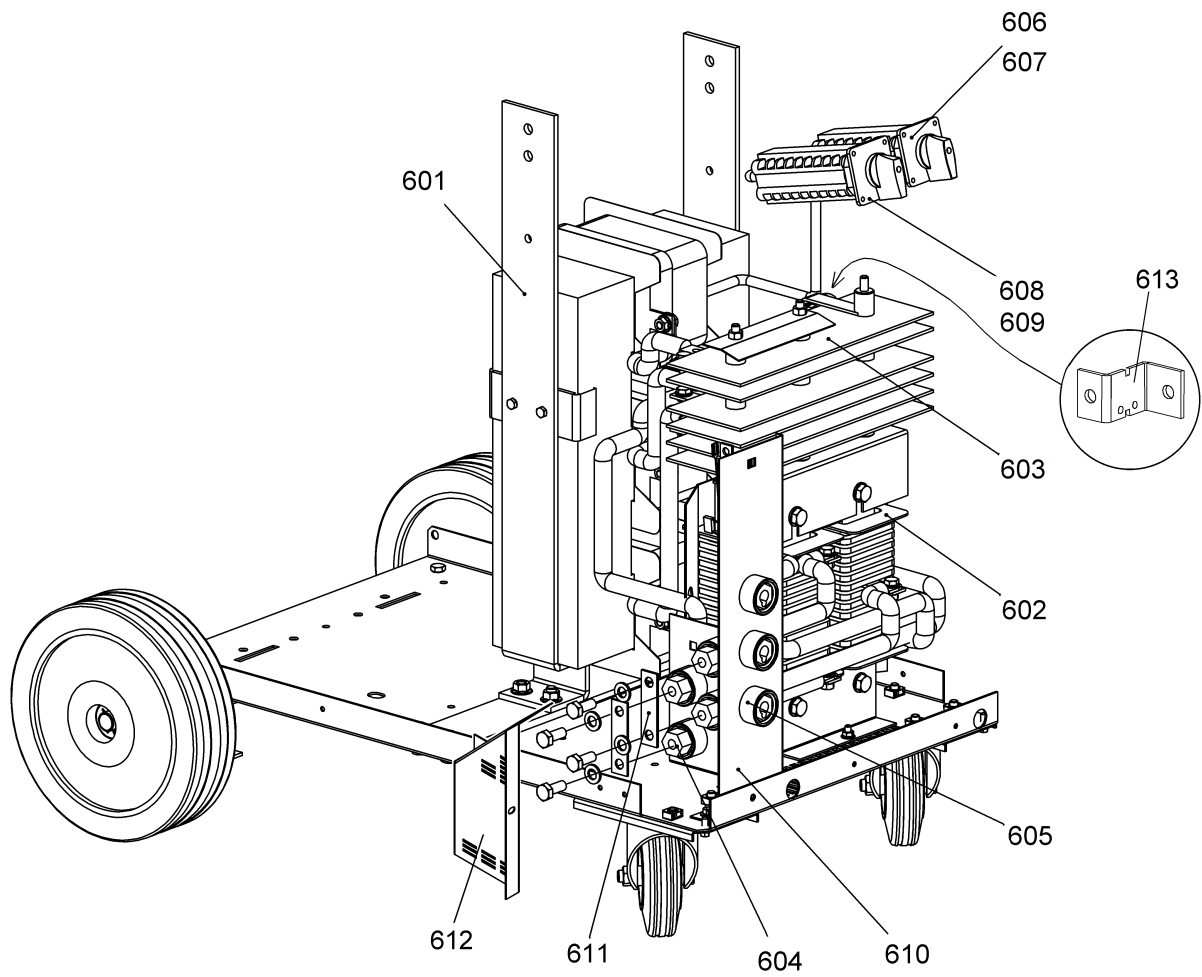
# **Mig C420 PRO**

# Mig C420 PRO

C = component designation in the circuit diagram

Item	Qty C420w	Qty C420	Ordering no.	Denomination	Notes	C
601	1	1	0349 302 957	Transformer with switches	400-415V	TM1
	1	1	0349 302 959	Transformer with switches	230-500V	TM1
	-	1	0349 304 332	Transformer with switches	230-575V	TM1
	1	1	0349 302 961	Transformer	400-415V	TM1
	1	1	0349 303 198	Transformer	230-500V	TM1
	-	1	0349 304 333	Transformer	230-575V	TM1
	602	1	1	0349 303 019	Inductor	
1		1	0349 308 084	Thermal switch		ST1
603	1	1	0349 303 192	Bridge 3ph		V1
604	4	4	0349 303 689	Current connection cpl		XTP
605	3	3	0160 362 881	Cable connector OKC50-95		XB2-XB4
606	1	1	0349 302 831	Cam switch	400-415V	QF3
607	1	1	0349 304 078	Cam switch	230-575V	QF3
608	1	1	0349 302 832	Cam switch	400-415V	QF2
609	1	1	0349 304 079	Cam switch	230-575V	QF2
	2	2	0349 302 306	Knob	for switch 0349 302 831 and 0349 302 832	
	2	2	0349 303 553	Knob	for switch 0349 304 078 and 0349 304 079	
610	1	1	0349 302 289	Bracket		
611	2	2	0349 303 688	Current rail		
612	1	1	0349 303 685	Connection shield with label		

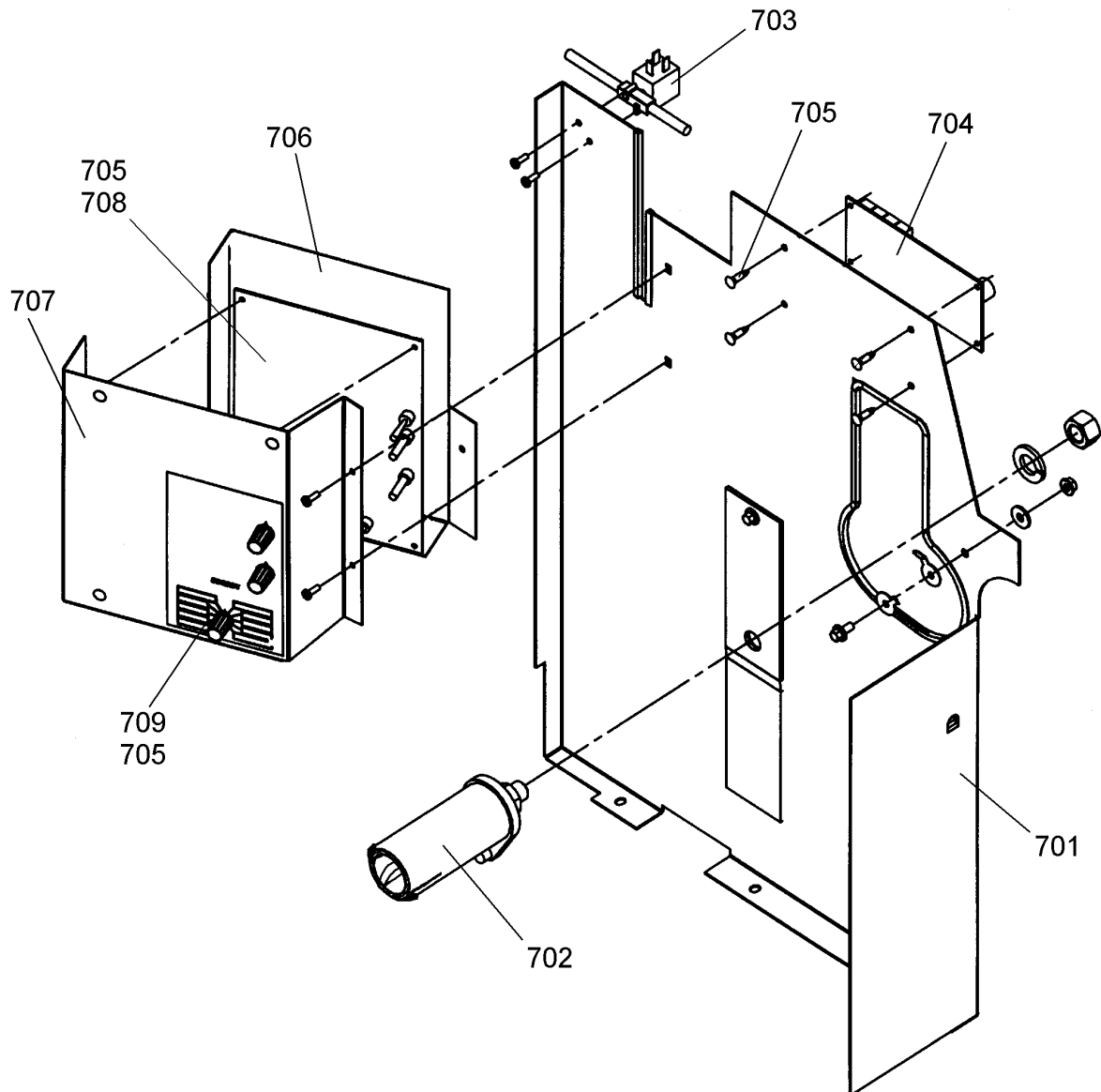
# Mig C420 PRO



# Mig C420 PRO

C = component designation in the circuit diagram

Item	Qty C420w	Qty C420	Ordering no.	Denomination	Notes	C
701	1	1	0349 303 007	Intermediate plate (C420)		
702	1	1	0146 967 881	Brake hub Light Duty		
703	1	1	0349 304 627	Gas module	42V,50-60Hz	YV1
704	1	1	0349 302 392	Electronic board LA10/1		AP3
705	8	8	0455 226 004	Spacer KGLS		
706	1	1	0349 302 980	Bracket (C420)		
707	1	1	0349 302 981	Bracket (C420)		
708	1	1	0486 205 882	PC Board MEK	until May 2003	AP1
			0486 205 886	PC Board MEK4	since June 2003	

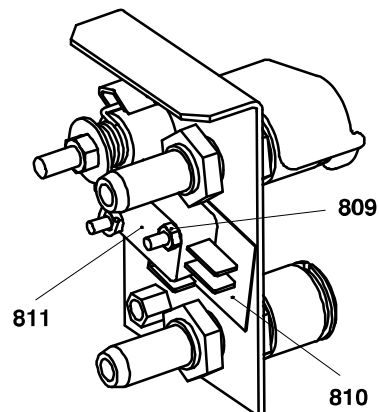
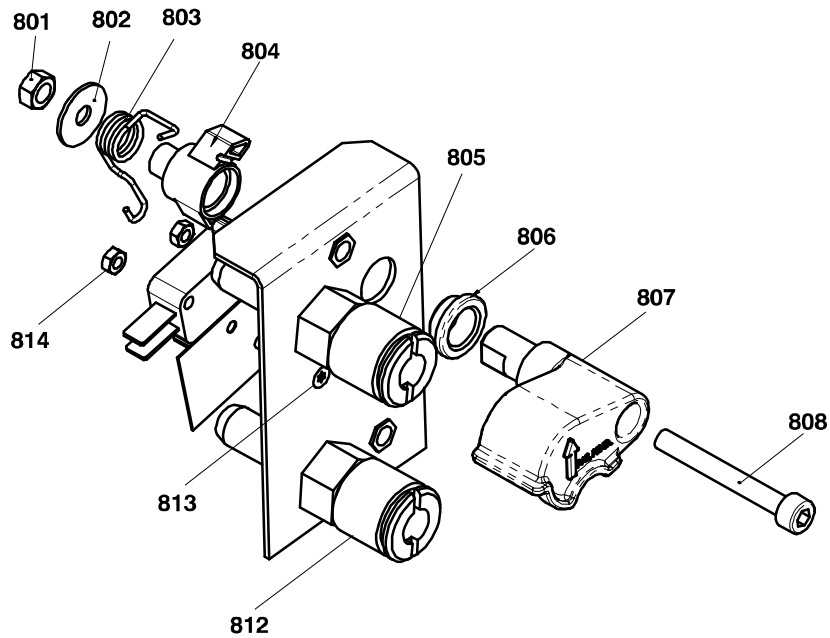


# Mig C420 PRO

Item	Qty	Ordering no.	Denomination	Notes
801	1		Nut	M5
802	1		Washer	D16/5x1
803	1		Spring	
804	1		Water lock cam	
805	1	0365 803 012	Quick connector	Female, blue
806	1		Water lock bushing	
807	1		Water lock outlet	
808	1		Screw	M5x35
809	1		Nut	M3
810	1	0458 589 001	Insulation plate	
811	1	0458 364 001	Micro switch	
812	1	0365 803 011	Quick connector	Female, red
813	2		Screw	M3x20
814	2		Nut	M3

## SPARE PARTS SET

Item	Qty	Ordering no.	Denomination	Notes
850	1	0458 370 900	Water connection spare kit	Contains items 801, 802, 803, 804, 806, 807 and 808



H

## Mig C420 PRO

### Wear parts

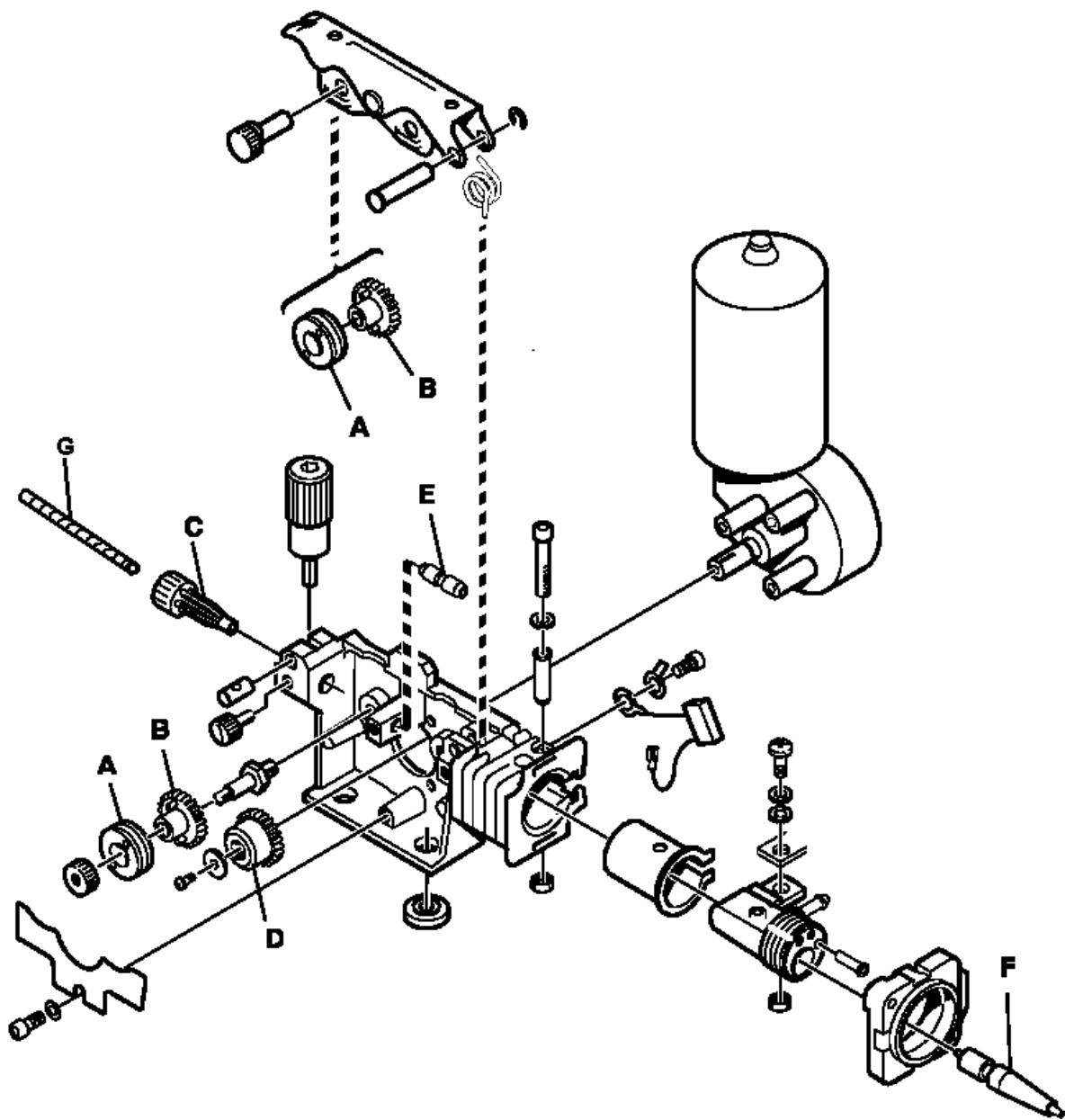
Item	Denomination	Ordering no.	Notes
A	Feed / pressure roller	0459 052 001	Ø 0.6 & 0.8 mm; Fe, Ss & cored wire; V-groove
		0459 052 002	Ø 0.8 & 1.0 mm; Fe, Ss & cored wire; V-groove
		0459 052 003	Ø 0.9/1.0 & 1.2 mm; Fe, Ss & cored wire; V-groove
		0459 052 013	Ø 1.4 & 1.6 mm; Fe, Ss & cored wire; V-groove
		0458 825 001	Ø 0.9/1.0 & 1.2 mm; Cored wire; V-groove; knurled
		0458 825 002	Ø 1.2 & 1.4 mm; Cored wire; V-groove; knurled
		0458 825 003	Ø 1.6 & 2.0 mm; Cored wire; V-groove; knurled
		0458 824 001	Ø 0.8 & 0.9/1.0 mm; Al wire; U-groove
		0458 824 003	Ø 1.2 & 1.6 mm; Al wire; U-groove
B	Gear adapter	0459 441 880	Replacing 0455 053 880
C	Inlet nozzle	0455 049 001	
D	Drive gear	0459 440 001	Replacing 0455 052 001
E	Intermediate nozzle	0455 072 002	Fe, Ss & cored wire
		0456 615 001	Al wire
F	Outlet nozzle	0469 837 880	Ø 2.0 mm steel for 0.6-1.6 mm Fe, Ss & cored wire
		0469 837 881	Ø 2.0 mm plastic for 0.8-1.6 mm Al wire
G	Liner	0349 303 018	Fe, Ss & cored wire
		0455 894 001	Al wire

The rollers are marked with wire dimension in mm, some are also marked with inch.

### Welding with aluminium wires.

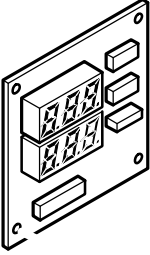
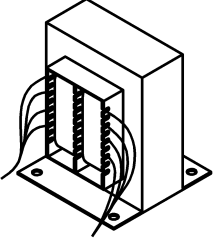
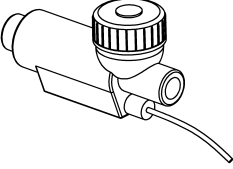

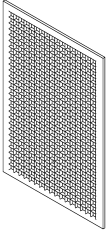
*In order to weld with aluminium wires, proper rollers, nozzles and liners for aluminium wires MUST be used. It is recommended to use 3m long welding gun for aluminium wires, equipped with appropriate wear parts.*

Mig C420 PRO



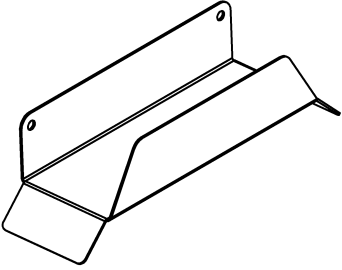

# Mig C420 PRO

## Accessories

	<b>Digital meter</b> .....	0349 302 451
	<b>Transformer kit for CO<sub>2</sub> heater</b> .....	0349 302 250
	<b>Water flow guard</b> .....	0349 302 251
	<b>Coolant ready mixed (5 l)</b> .....	0349 483 296
	<b>Filter</b> .....	0349 302 252



## Mig C420 PRO

	<b>Cable holder</b> .....	0349 303 362
<b>Push-Pull connection kit</b> ..... 0349 308 337		
	<b>Push-Pull welding guns:</b>	
	<b>MXH 400w PP - 6,0m</b> .....	0700 200 015
	<b>MXH 400w PP - 10,0m</b> .....	0700 200 016

